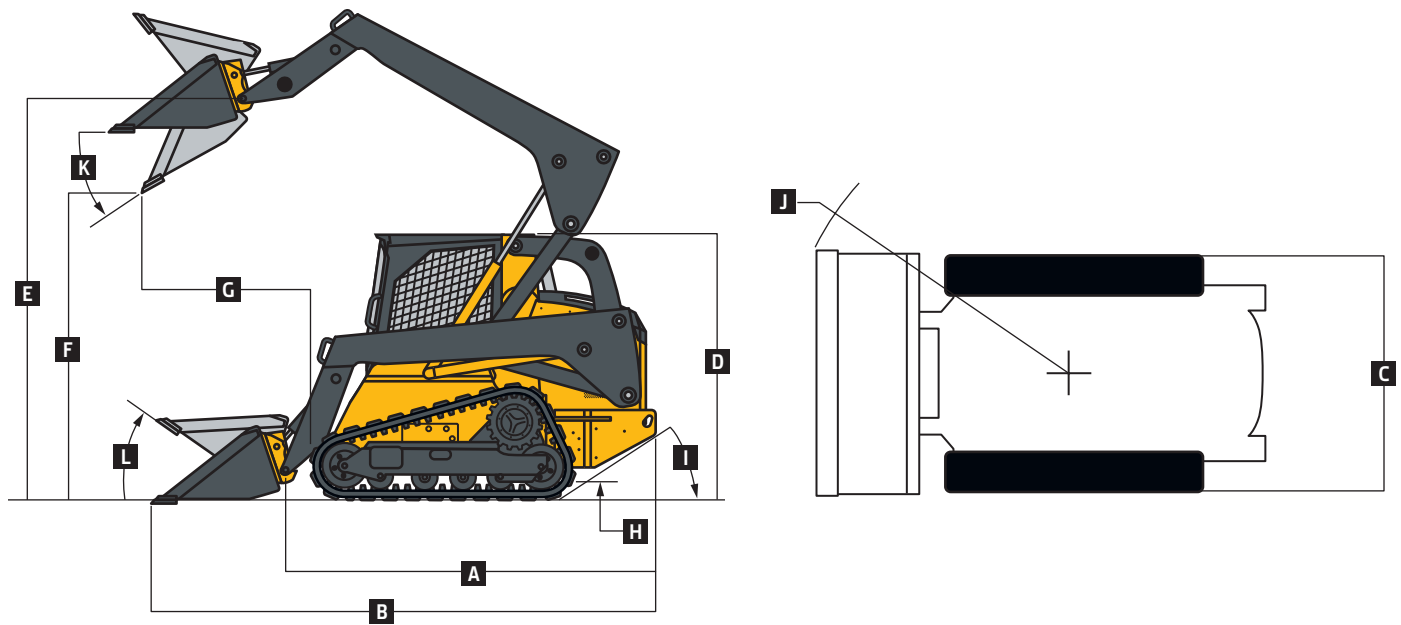


# 329E / 333E

| Engine   | 329E   | 333E   |
|--|--|--|
| Manufacturer and Model                                       | Yanmar 4TNV94CHT   | Yanmar 4TNV94CHT                                 |
| Non-Road Emission Standards                                  | EPA Interim Tier 4/EU Stage IIIB   | EPA Interim Tier 4/EU Stage IIIB                 |
| Cylinders  | 4  | 4  |
| Net Peak Power (SAE J1349 / ISO 9249)                        | 62.0 kW (83 hp) at 2,500 rpm   | 72.0 kW (97 hp) at 2,500 rpm                     |
| Gross Rated Power (ISO 14396)                                | 64.0 kW (86 hp) at 2,500 rpm   | 74.6 kW (100 hp) at 2,500 rpm                    |
| Peak Torque  | 360 Nm (266 ft.-lb.) at 1,700 rpm  | 395 Nm (291 ft.-lb.) at 1,700 rpm                |
| Displacement   | 3.1 L (186.3 cu. in.)  | 3.1 L (186.3 cu. in.)                            |
| Rated Engine Speed   | 2,500 rpm  | 2,500 rpm  |
| Torque Rise  | 47% at 1,700 rpm   | 39% at 1,700 rpm                                 |
| Aspiration   | Turbocharged, intercooled  | Turbocharged, intercooled                        |
| Air Cleaner  | Dry dual element   | Dry dual element                                 |
| Cooling  | 329E / 333E  |  |
| Fan Type   | Variable-speed hydraulic drive (optional reversing fan drive)  |  |
| Powertrain   | 329E   | 333E   |
| Pump   | Axial-piston hydrostatic   | Axial-piston hydrostatic                         |
| Controls   | Electrohydraulic   | Electrohydraulic                                 |
| Travel Speeds  |  |  |
| Single Speed, Standard                                       | 10.0 km/h (6.2 mph)  | —  |
| 2 Speed, Optional  |  |  |
| Low  | 8.5 km/h (5.3 mph)   | 8.5 km/h (5.3 mph)                               |
| High   | 12.6 km/h (7.8 mph)  | 12.6 km/h (7.8 mph)                              |
| <b>Brakes</b>  | Integral, automatic, spring-applied, hydraulically released wet-disc brake                                       |  |
| Undercarriage  | 329E / 333E  |  |
| <b>Rubber Tracks</b>   | Smooth-ride long-life rubber with steel inserts  | Smooth-ride long-life rubber with steel inserts  |
| Track Width  |  |  |
| Standard   | 400 mm (15.8 in.)  | 450 mm (17.7 in.)                                |
| Optional   | 450 mm (17.7 in.)  | 400 mm (15.8 in.)                                |
| Ground Pressure  |  |  |
| 400-mm (15.8 in.) Track (standard on 329E, optional on 333E) | 34.2 kPa (5.0 psi)   | 34.7 kPa (5.0 psi)                               |
| 450-mm (17.7 in.) Track (optional on 329E, standard on 333E) | 30.6 kPa (4.4 psi)   | 31.1 kPa (4.5 psi)                               |
| Track Rollers (per side)                                     | 5 triple-flange smooth-ride all-steel rollers  | 5 triple-flange smooth-ride all-steel rollers    |
| Track Idlers (per side)                                      | 2 double-flange smooth-ride all-steel rollers  | 2 double-flange smooth-ride all-steel rollers    |
| Bearings/Seals (rollers/idlers)                              | Heavy-duty journal bearings and metal face seals   | Heavy-duty journal bearings and metal face seals |
| Tractive Effort  | 5221 kgf (11,500 lbf)  | 5221 kgf (11,500 lbf)                            |
| Hydraulics   | 329E / 333E  |  |
| Pump Flow  |  |  |
| Standard   | 80 L/m (21 gpm)  | 95 L/m (25 gpm)                                  |
| Total with High-Flow Option                                  | 125 L/m (33 gpm)   | 129 L/m (34 gpm)                                 |
| System Pressure at Couplers                                  | 23 787 kPa (3,450 psi)   | 23 787 kPa (3,450 psi)                           |
| Hydraulic Horsepower Flow (calculated)                       |  |  |
| Standard   | 31.3 kW (42 hp)  | 37.3 kW (50 hp)                                  |
| High   | 48.5 kW (65 hp)  | 50.0 kW (67 hp)                                  |
| Cylinders  | 329E / 333E  |  |
| Type   | John Deere heat-treated, chrome-plated, polished cylinder rods, hardened steel (replaceable bushings) pivot pins |  |
| Electrical   | 329E / 333E  |  |
| Voltage  | 12 volt  |  |
| Battery Capacity   | 925 CCA  |  |
| Alternator Rating  | 70 amp   |  |
| Lights   | Halogen, 2 front and 1 rear  |  |
| Operator's Station   | 329E / 333E  |  |
|  | ROPS (ISO 3471) / FOPS (ISO 3449) structure with quick-pivot standard  |  |



| Serviceability                                 | 329E / 333E                      |                      |
|--|----------------------------------|----------------------|
| <b>Refill Capacity</b>                         |                                  |                      |
| Fuel Tank                                      | 96.5 L (25.5 gal.)               |                      |
| <b>Operating Weight</b>                        | <b>329E</b>                      | <b>333E</b>          |
| With Standard 400-mm (15.8 in.) Track          | 5221 kg (11,500 lb.)             | —                    |
| With Standard 450-mm (17.7 in.) Track          | —                                | 5357 kg (11,800 lb.) |
| <b>Machine Dimensions</b>                      | <b>329E / 333E</b>               |                      |
| <b>A</b> Length without Bucket                 | 3.05 m (120 in.) (10 ft. 0 in.)  |                      |
| <b>B</b> Length with Foundry Bucket            | 3.66 m (144 in.) (12 ft. 0 in.)  |                      |
| <b>C</b> Width without Bucket                  |                                  |                      |
| With 400-mm (15.8 in.) Track                   | 2.00 m (78.9 in.) (6 ft. 7 in.)  |                      |
| With 450-mm (17.7 in.) Track                   | 2.05 m (80.7 in.) (6 ft. 9 in.)  |                      |
| <b>D</b> Height to Top of ROPS                 | 2.15 m (84.7 in.) (7 ft. 1 in.)  |                      |
| <b>E</b> Height to Hinge Pin                   | 3.20 m (126 in.) (10 ft. 6 in.)  |                      |
| <b>F</b> Dump Height with Foundry Bucket       | 2.59 m (101.8 in.) (8 ft. 6 in.) |                      |
| <b>G</b> Dump Reach                            |                                  |                      |
| With Foundry Bucket                            | 0.82 m (32.2 in.)                |                      |
| With Construction Bucket                       | 1.00 m (39.4 in.) (3 ft. 3 in.)  |                      |
| <b>H</b> Ground Clearance                      | 0.26 m (10.4 in.)                |                      |
| <b>I</b> Angle of Departure                    | 31 deg.                          |                      |
| <b>J</b> Front Turn Radius with Foundry Bucket | 2.17 m (85.43 in.) (7 ft. 1 in.) |                      |
| <b>K</b> Dump Angle (full lift height)         | 45 deg.                          |                      |
| <b>L</b> Bucket Rollback (ground level)        | 35 deg.                          |                      |



| Loader Performance                               | 329E                 | 333E                 |
|--|----------------------|----------------------|
| Tipping Load                                     | 3768 kg (8,300 lb.)  | 4279 kg (9,425 lb.)* |
| SAE Rated Operating Capacity with Foundry Bucket |                      |                      |
| At 35% Tipping Load                              | 1317 kg (2,900 lb.)  | 1498 kg (3,300 lb.)  |
| At 50% Tipping Load                              | 1884 kg (4,150 lb.)  | 2145 kg (4,725 lb.)  |
| Boom Breakout                                    | 2088 kg (4,600 lb.)  | 2996 kg (6,600 lb.)  |
| Bucket Breakout Force                            | 4688 kg (10,325 lb.) | 6299 kg (13,875 lb.) |

\*With 1 set of standard counterweights.